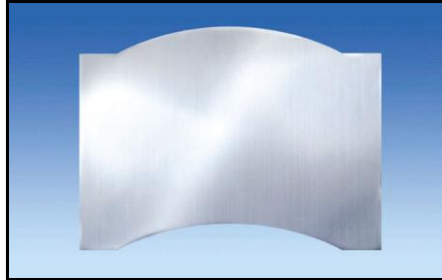


## Products – What to find in this section

Genuine **automotive sheet** products are developed for optimum formability and service properties within narrow tolerance limits. Relevant properties for selection, manufacturing and use are listed.



**Shaped blank for front hub**

**Alloys 6016-T4**

**Source: Alcan-Alusuisse**

'Put material only where it serves a purpose', is the principle rule of extrusion design. You will find data on **automotive extrusion alloys** for design, fabrication and service in this section.



**Extruded, drawn and welded tubing** is available for functional, heat transfer and structural use. **Automotive tubing products** are tailored for specific applications. Often tubing is the starting material for complex forms.



**Source: Hydro Automotive SA**

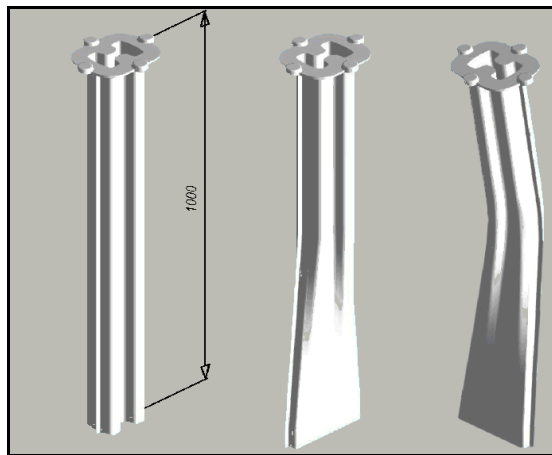
## THE Aluminium Automotive MANUAL

Serviceability and reliability under extreme conditions of use and abuse for **safety components** are afforded by aluminium die forgings. **Automotive forging products**, their properties and relevant design considerations are provided in this section.



**Forged control arm for Porsche 996**

**Impact extrusions** are a largely untapped resource for light weight functional and structural components with very complex design features, which can often not be produced as one part.



**Source: Hydro Aluminium Automotive SA**

Properties of **cast products** are always related to casting methods and process metallurgy. Combining the integration of design functions into a single part with optimum process technology provides components with excellent structural integrity and service behaviour.

